



Bobcat E50 Amphibious Excavator

*“The Workhorse that Goes
Wherever You Need It!”*



Cat Walks



*Auxilliary Fuel Tanks
with Ladder*



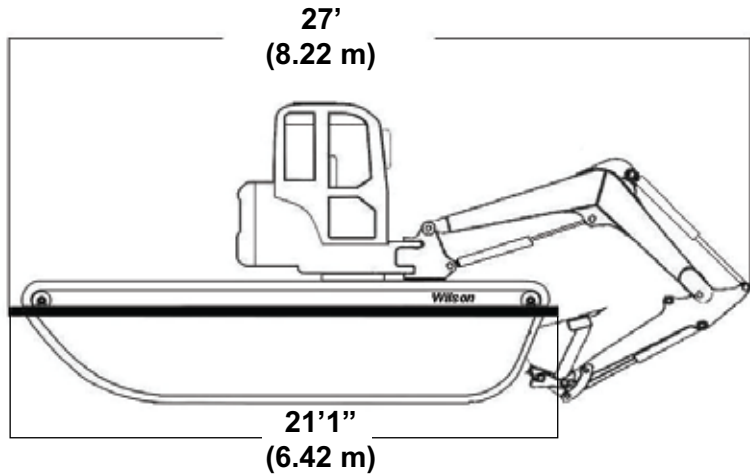
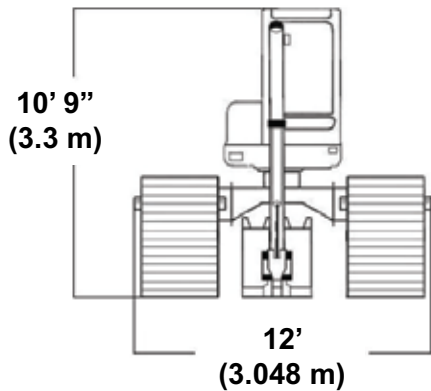
Lifting Eyes

All of our E50 BOBCAT machines come with auxiliary circuits for added attachments. Bush cutter, vibrators, plate compactors, augers, sheers, rippers, buckets, saws, etc. are all useable on this incredible machine. Our machine can work where conventional land machines would sink out of sight. Machines can be disassembled for containerized shipping.

*See the Bobcat E50 and all of our versatile
workhorse machines on our website:*

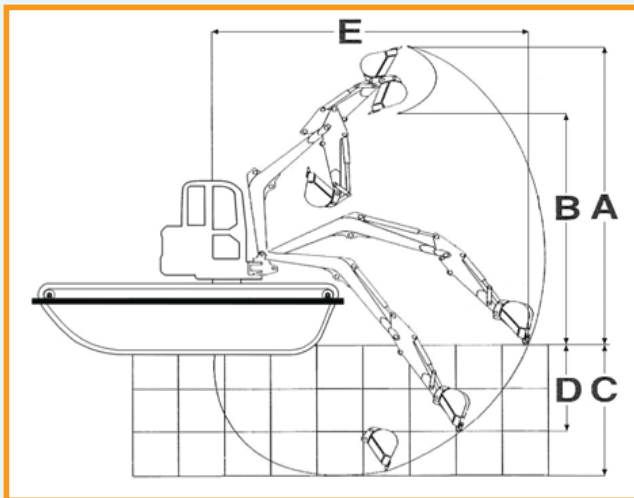
www.wilsonmarshequipment.com

WME-E50BC12211



Specifications

Engine		Rated Lift Capacity	
Make	Kubota	Over End	
Model	V2403-M-DI-TE3B-BC-4; Turbo Charged	Maximum Radius, Ground Level	5926 lbs / 2688 kg
Fuel	Diesel	Accessories	
Cooling	Liquid	ISO/STD Selector Kit	STD
Displacement	148.5 cu in (2.4 L)	Motion Alarm Kit	Yes
Horsepower	48.8 hp @2,200 RPM	Engine Shutdown	STD
Performance		Enclosed Cab with Heater	Yes
Operating Weight	22,000 lbs / 9,979.03 Kg	Air Conditioning	Yes
Speed	1.20 MPH / 1.93 KPH	Under Carriage Exterior Coating	
Hydraulic Pumps	3	All Exposed Metal Sandblasted	
Type	Piston/Gear	Three part coating	
Auxiliary Hydraulic Flow	20 GPM / 75.7 LPM	First coat Zinc-rich epoxy	
Fuel Tank Capacity	21.1 gal / 79.9 L	Second coat 300 Epoxy Primer	
Auxiliary Fuel Tank	70 gal / 269 L	Third coat 389 polyurethane top coat	
		Interior Coating	
		Zinc Chromate rust inhibitor	
		Construction	
		ASTM 588 ASTM 572 Steel	
		Track Shoes	
		Specially Extruded 6061-T6 Aluminum	
		Width	40 in. (863.6 mm.)
		Ground Pressure	1.08 psi. (7 kpa.)
		Working Range Standard Stick	
		B. Max. Dumping Height	189.5" / 481.33 cm
		C. Max. Digging Depth Ground level	132.7" / 337.06 cm
		C. Max. Digging Depth Soft terrain	154.5" / 392.43 cm
		D. Max. Vertical Wall Digging Depth	126.0" / 320.04 cm
		E. Max. Digging Reach At Ground Level	249.3" / 633.22 cm
		Bucket Breakout Force	9442 LBF
		Machine can be disassembled for containerized shipping.	



Wilson Marsh Equipment Company Inc.

1132 Chipley St. Westwego, LA 70094

P.O. Box 1657 Marrero, LA 70073

Office: (504) 340-6147 Fax: (504) 340-6150

www.wilsonmarshequipment.com

